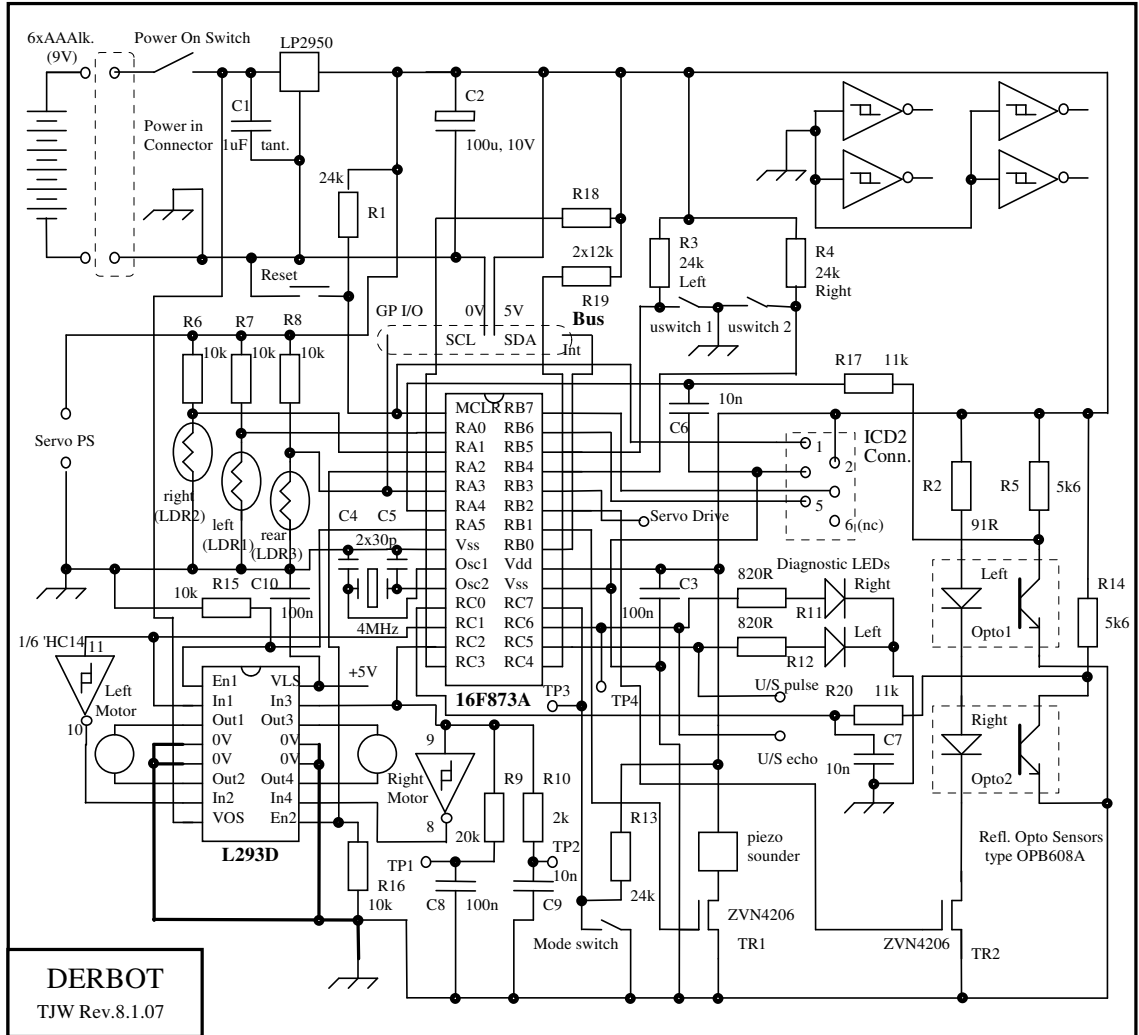


Derbot Circuit Diagram, Main Chassis (showing revisions since book publication)



Revisions

- 10.11.06 Removal of duplicate R10 and R17. Addition of C10.
- 8.1.07 Correction of LDR labelling

Derbot Components

Component ID	Book Fig. A3.1	Ver. 8.1.07
R1	Reset	Reset
R2	-	refl opto leds series resistor
R3	microswitch pull-up L	microswitch pull-up L
R4	microswitch pull-up R	microswitch pull-up R
R5	left opto sensor collector	left opto sensor collector
R6	LDR pull-up L	LDR pull-up R
R7	LDR pull-up R	LDR pull-up L
R8	LDR pull-up Rear	LDR pull-up Rear
R9	PWM demo filter	PWM demo filter
R10	PWM demo filter, AND refl opto led series resistor	PWM demo filter
R11	diagnostic led series res. R	diagnostic led series res. R
R12	diagnostic led series res. L	diagnostic led series res. L
R13	mode switch pull-up	mode switch pull-up
R14	right opto sensor collector	right opto sensor collector
R15	L293 pull-down EN1	L293 pull-down EN1
R16	L293 pull-down EN2	L293 pull-down EN2
R17	opto filter resistor (x2)	opto filter resistor L
R18	I2C pull-up SCK	I2C pull-up SCK
R19	I2C pull-up SDA	I2C pull-up SDA
R20	-	opto filter resistor L
C1	Power in	Power in
C2	regulator out	regulator out
C3	ucon decoupling	ucon decoupling
C4, 5	crystal	crystal
C6	opto filter L	opto filter L
C7	opto filter R	opto filter R
C8, 9	PWM demo	PWM demo
C10	-	power decoupling at L293 (new)